

SCOUT 2



Item# F-802SC2

The Scout 2 pool lift features an adjustable height seat pole, upgraded electronics and a more robust base. These upgrades allow for a weight capacity of 375 pounds. This pool lift will accommodate most existing anchors by utilizing adapter sleeves. The optional pull-out leg rest may be used for greater clearance on raised pool and spa applications.

The Scout 2 is UL Certified to meet UL pool lift standard 60335-2-1000. It was designed for in ground anchoring and an ideal lift for easy and affordable ADA compliance.

In addition, the Scout 2 can rotate 360 degrees in either direction providing versatility and accessibility solutions.



U.S. Patent No.
D507,769 S



ACCENT COLORS

Available in a variety of accent and powder coat colors



*Blue seat standard (not a powder coat option)

FEATURES:

- UL Certified
- 375 lb (170 kg) weight capacity*
- 360 degree powered rotation in either direction
- Clearances vary by wall height & width
- Setback range 19" - 35" (49 - 88 cm)
- Flip-up armrests
- Five year structural warranty
- Five year pro-rated electronics warranty

*300 lb (136 kg) weight capacity when used with plastic anchor sleeve (see page 20 for available adapter sleeves)

OPTIONS/ACCESSORIES:

F-808SA	Anchor kit, standard, 1.9" x 6" deep
F-808SA-10	Anchor kit, paver applications, 1.9" ID x 10" deep
F-842SWDA	Anchor kit, wood deck applications
F-77SSA	Anchor kit, semi-recessed, shallow concrete deck
F-450SSC	Cover, standard lockable, blue
F-450SSC-G	Cover, standard lockable, gray
F-450SSC-T	Cover, standard lockable, tan
F-422PLH-2	Headrest
F-LRB	Pull-out leg rest assembly (blue, tan, gray, or white)
F-806SLS	Sling assembly
F-045SCH	Solar charging station
F-814SCTC	Transport cart

PROUDLY SOLD BY:

strack Liftsysteme

Strack AG
Ebnatstrasse 125
8200 Schaffhausen

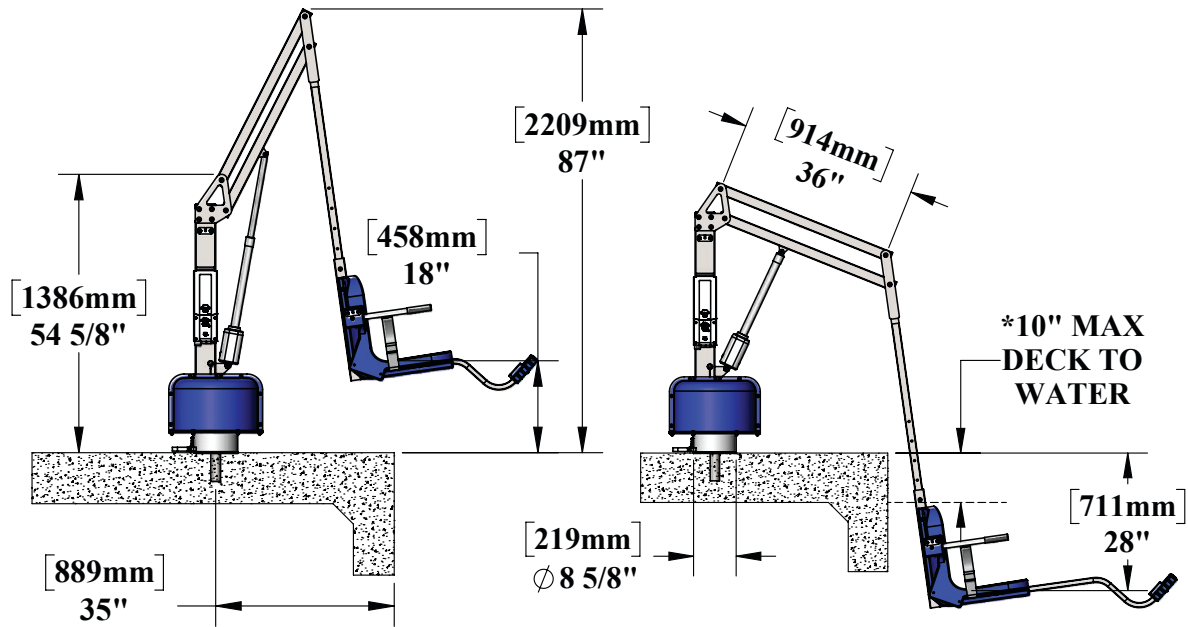
Tel. 0800 600 500
Fax 0800 600 900

www.strack.ch
info@strack.ch

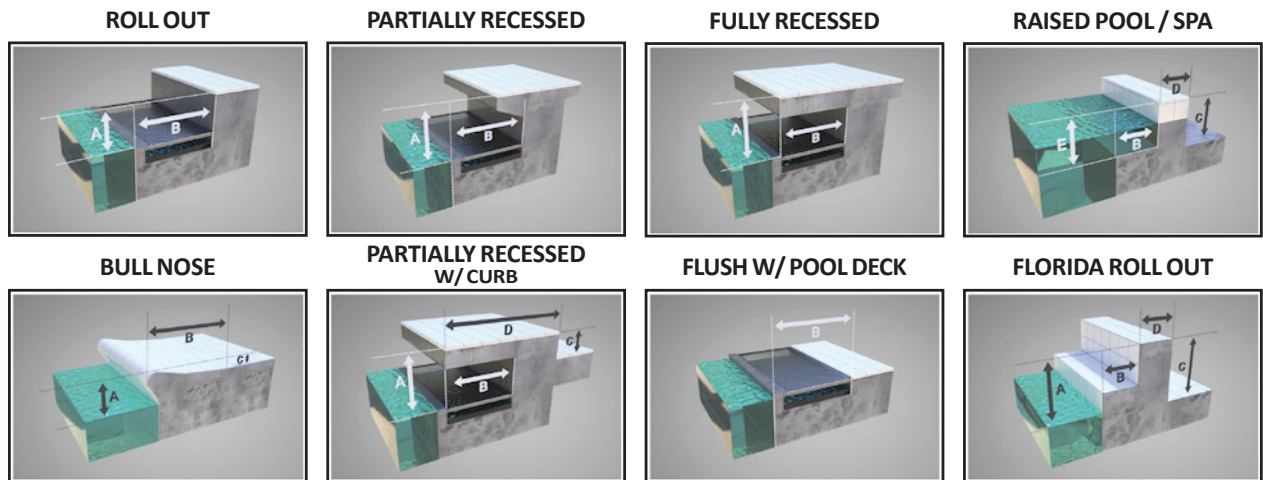
ZSR-Nr. K 7514.14
NIF-Nr. 366 824
MWST-Nr. 567 970

THE SCOUT 2 LIFT

PRODUCT SPECIFICATIONS



APPLICABLE POOL PROFILES



*provide measurements indicated to confirm application or use online pool lift selector

To confirm specific application go to www.aquacreek.com for our Pool Lift Selector
 Become a member of our new Dealer and Architect page. Access to CAD blocks,
 CSI specs and sales materials.